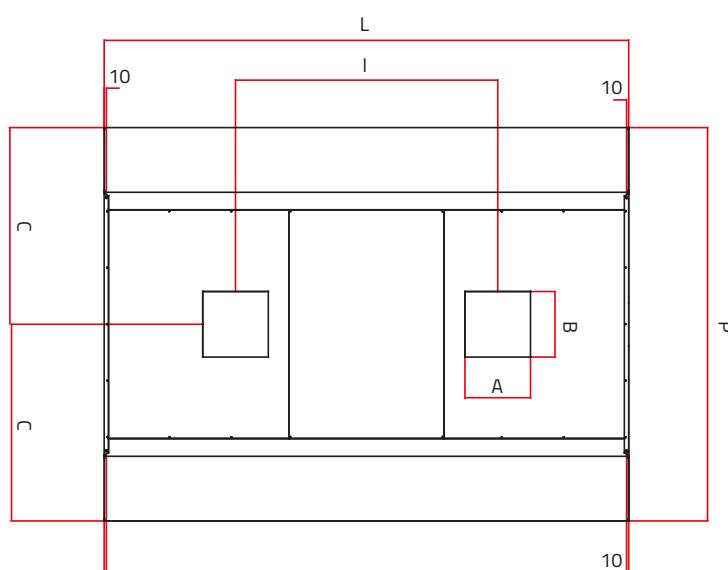
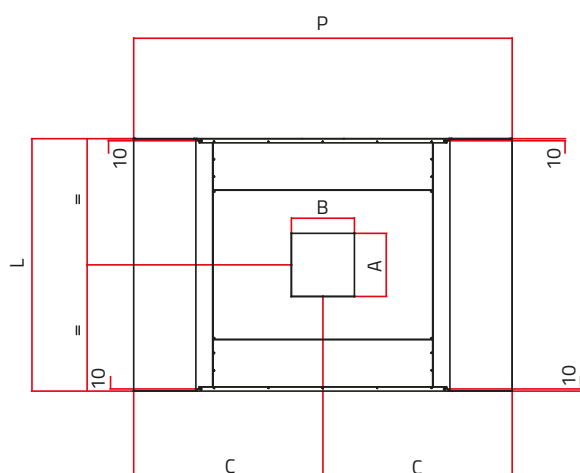
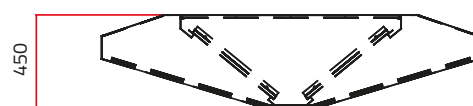


CAPPA CENTRALE GABBIANO

Serie 140 / 180 / 220

GABBIANO LINE ISLAND HOODS WITHOUT EXTRACTOR FAN



LISTINO TECNICO Cappe gabbiano centrale
TECHNICAL PRICELIST Central hoods gabbiano line

Serie 140

Modelli Models	304 €	Dim. P x L x h mm	AxB mm	C mm	Filtri n° Filters n°	Peso Kg Weight Kg	Volume MC/H*	I mm	LED €
GC 14/12		1400x1200x450	250x250	700	4b	60	2100		
GC 14/14		1400x1400x450	250x250	700	4b	64	2500		
GC 14/16		1400x1600x450	300x300	700	6a	68	2800		
GC 14/18		1400x1800x450	300x300	700	6b	72	3200		
GC 14/20		1400x2000x450	300x300	700	8a	76	3500		
GC 14/22		1400x2200x450	400x300	700	8a	80	3950		
GC 14/24		1400x2400x450	400x300	700	8b	84	4200		
GC 14/26		1400x2600x450	400x300	700	8b	88	4600		
GC 14/28		1400x2800x450	300x300	700	10b	92	4900		
GC 14/30		1400x3000x450	300x300x2	700	10b	96	5300	1500	
GC 14/32		1400x3200x450	300x300x2	700	10b	100	5600	1600	
GC 14/34		1400x3400x450	300x300x2	700	12b	104	6000	1700	
GC 14/36		1400x3600x450	300x300x2	700	12b	108	6400	1800	
GC 14/38		1400x3800x450	300x300x2	700	12b	120	6700	1900	

CARATTERISTICHE COSTRUTTIVE:

Il particolare profilo la rende ideale per blocchi di cottura 70 / 90 posizionati centralmente anche nei casi di soffitti bassi. Costruzione in AISI 304. Esecuzioni speciali a richiesta.

In dotazione:

- Filtri a labirinto
- Scarico condensa 1/2"
- Lunghezze diverse = prezzo delle cappe con lunghezze immediatamente superiori (GC 22/13 = GC 22/14)

Note:

Per gli accessori vedi le pagine specifiche. Imballo pluriball con angolari in polistirolo compresi nel prezzo.

Serie 180

Modelli Models	304 €	Dim. P x L x h mm	AxB mm	C mm	Filtri n° Filters n°	Peso Kg Weight Kg	Volume MC/H*	I mm	LED €
GC 18/12		1800x1200x450	250x250	900	4d	64	2100		
GC 18/14		1800x1400x450	300x300	900	4c	68	2500		
GC 18/16		1800x1600x450	300x300	900	6c	72	2800		
GC 18/18		1800x1800x450	300x300	900	6d	76	3200		
GC 18/20		1800x2000x450	300x300	900	8c	80	3500		
GC 18/22		1800x2200x450	400x300	900	8c	84	3950		
GC 18/24		1800x2400x450	400x300	900	8d	88	4200		
GC 18/26		1800x2600x450	400x300x2	900	8d	92	4600	1300	
GC 18/28		1800x2800x450	300x300x2	900	10d	96	4900	1400	
GC 18/30		1800x3000x450	300x300x2	900	10d	100	5300	1500	
GC 18/32		1800x3200x450	300x300x2	900	10d	106	5600	1600	
GC 18/34		1800x3400x450	300x300x2	900	12d	112	6000	1700	
GC 18/36		1800x3600x450	300x300x2	900	12d	116	6400	1800	
GC 18/38		1800x3800x450	300x300x2	900	12d	123	6700	1900	

CONSTRUCTION CHARACTERISTICS:

The special profile makes it ideal for cooking blocks 70 / 90 positioned over islands, even with low ceilings. Costruzione in AISI 304. Special fabrication on request.

Supplied:

- Baffle filters
- Condensate draining cock 1/2"
- Other lengths = price of hoods w/next length up (GC 22/13 = GC 22/14)

Notes:

For the accessories please see the relative pages. Pluriball wrap packaging with polystyrene corners included.

Serie 220

Modelli Models	304 €	Dim. P x L x h mm	AxB mm	C mm	Filtri n° Filters n°	Peso Kg Weight Kg	Volume MC/H*	I mm	LED €
GC 22/12		2200x1200x500	300x300	1100	4d	71	2100		
GC 22/14		2200x1400x500	300x300	1100	4c	75	2500		
GC 22/16		2200x1600x500	400x300	1100	6c	79	2800		
GC 22/18		2200x1800x500	400x300	1100	6d	83	3200		
GC 22/20		2200x2000x500	400x300	1100	8c	87	3500		
GC 22/22		2200x2200x500	400x300	1100	8c	91	3950		
GC 22/24		2200x2400x500	300x300x2	1100	8d	96	4200	1200	
GC 22/26		2200x2600x500	300x300x2	1100	8d	101	4600	1300	
GC 22/28		2200x2800x500	300x300x2	1100	10d	106	4900	1400	
GC 22/30		2200x3000x500	400x300x2	1100	10d	110	5300	1500	
GC 22/32		2200x3200x500	400x300x2	1100	10d	115	5600	1600	
GC 22/34		2200x3400x500	400x300x2	1100	12d	120	6000	1700	
GC 22/36		2200x3600x500	400x300x2	1100	12d	125	6400	1800	
GC 22/38		2200x3800x500	400x300x2	1100	12d	130	6700	1900	

Portata media definita con velocità di passaggio sottocappa 0,35 m/sec.

Filtri/filters :

- a (400x400) - b (500x400)
- c (400x500) - d (500x500)