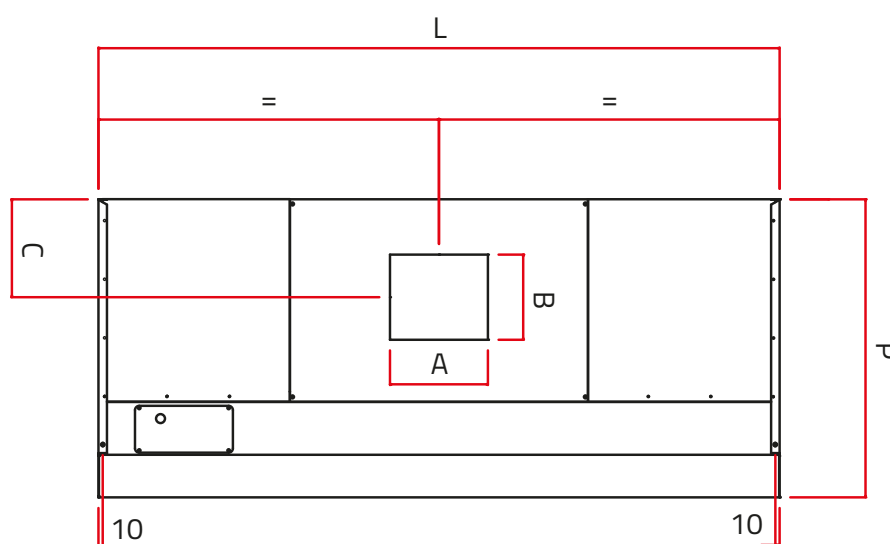
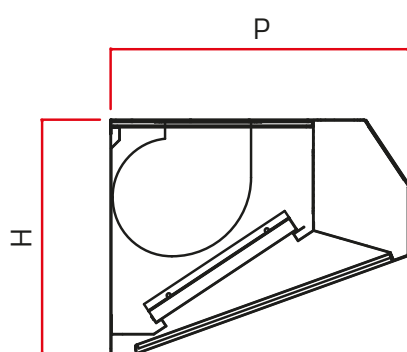


CAPPE A PARETE MODELLO EPVM

Serie 70 / 90

HOODS EPVM LINE



LISTINO TECNICO Cappe a parete

TECHNICAL PRICELIST Wall hoods

Serie 70

Modelli Models	304 €	Modelli Models	430 €	Dim. P x L x h mm	AxB mm	C mm	Filtri n° Filters	Peso Kg Weight	Tipo E.V.	Watt/ Amp	LED
EPVM 7/10		43PVM 7/10		700x1000x550	230x200	245	2a	43	7/7	147/1,5	2x4 W
EPVM 7/12		43PVM 7/12		700x1200x550	230x200	245	2b	44	7/7	147/1,5	2x4 W
EPVM 7/14		43PVM 7/14		700x1400x550	230x200	245	3a	50	7/7	147/1,5	3x4 W
EPVM 7/16		43PVM 7/16		700x1600x550	230x200	245	3a	54	7/7	147/1,5	3x4 W
EPVM 7/18		43PVM 7/18		700x1800x550	230x200	245	3b	57	7/7	147/1,5	3x4 W
EPVM 7/20		43PVM 7/20		700x2000x550	300x260	215	4a	63	8/9T	420/3,1	4x4 W
EPVM 7/22		43PVM 7/22		700x2200x550	300x260	215	4a	66	8/9T	420/3,1	4x4 W
EPVM 7/24		43PVM 7/24		700x2400x550	300x260	215	4b	69	8/9T	420/3,1	4x4 W
EPVM 7/26		43PVM 7/26		700x2600x550	300x260	215	4b	72	8/9T	420/3,1	4x4 W
EPVM 7/28		43PVM 7/28		700x2800x550	300x260	215	5b	76	8/9T	420/3,1	5x4 W
EPVM 7/30		43PVM 7/30		700x3000x550	300x260	215	5b	78	8/9T	420/3,1	5x4 W

Serie 90

Modelli Models	304 €	Modelli Models	430 €	Dim. P x L x h mm	AxB mm	C mm	Filtri n° Filters	Peso Kg Weight	Tipo E.V.	Watt/ Amp	LED
EPVM 9/10		43PVM 9/10		900x1000x550	230x200	245	2c	45	7/7	147/1,5	2x4 W
EPVM 9/12		43PVM 9/12		900x1200x550	230x200	245	2d	48	7/7	147/1,5	2x4 W
EPVM 9/14		43PVM 9/14		900x1400x550	230x200	245	3c	54	7/7	147/1,5	3x4 W
EPVM 9/16		43PVM 9/16		900x1600x550	300x260	215	3c	58	8/9T	420/3,1	3x4 W
EPVM 9/18		43PVM 9/18		900x1800x550	300x260	215	3d	61	8/9T	420/3,1	3x4 W
EPVM 9/20		43PVM 9/20		900x2000x550	300x260	215	4c	67	8/9T	420/3,1	4x4 W
EPVM 9/22		43PVM 9/22		900x2200x550	300x260	215	4c	71	8/9T	420/3,1	4x4 W
EPVM 9/24		43PVM 9/24		900x2400x550	300x260	215	4d	74	8/9T	420/3,1	4x4 W
EPVM 9/26		43PVM 9/26		900x2600x550	300x260	215	4d	81	8/9T	420/3,1	4x4 W
EPVM 9/28		43PVM 9/28		900x2800x550	300x260	215	5d	86	8/9T	420/3,1	5x4 W
EPVM 9/30		43PVM 9/30		900x3000x550	300x260	215	5d	89	8/9T	420/3,1	5x4 W

CARATTERISTICHE COSTRUTTIVE:

Le cappe PVM sono cappe della serie ECO complete di elettroventilatore, illuminazione a faretti LED integrati e regolatore elettronico di velocità, interruttori luci e controllo della valvola gas. Costruzione in AISI 304 o AISI 430. Le cappe di questa serie vengono fornite completamente cablate.

In dotazione:

- Elettroventilatore centrifugo 220V monofase 50/60 Hz
- Filtri a labirinto
- Scarico condensa 1/2"
- Lunghezze diverse = prezzo delle cappe con lunghezze immediatamente superiori (EPVM 7/13 = EPVM 7/14)

Note:

Per gli accessori vedi le pagine specifiche. Imballo pluriball con angolari in polistirolo compresi nel prezzo.

CONSTRUCTION CHARACTERISTICS:

The PVM hoods are hoods of the ECO series complete with electric fan, lighting with integrated LED spotlights and electronic speed regulator, light switches and gas valve control. Construction in AISI 304 or AISI 430. The hoods of this series are supplied completely wired.

Supplied:

- Electric centrifugal fan 220V single-phase 50/60 Hz
- Baffle filters
- Condensate draining cock 1/2"
- Other lengths = price of hoods w/next length up (EPVM 7/13 = EPVM 7/14)

Notes:

For the accessories please see the relative pages. Pluriball wrap packaging with polystyrene corners included.

Filtri/filters :

a (400x400) - b (500x400)
c (400x500) - d (500x500)